

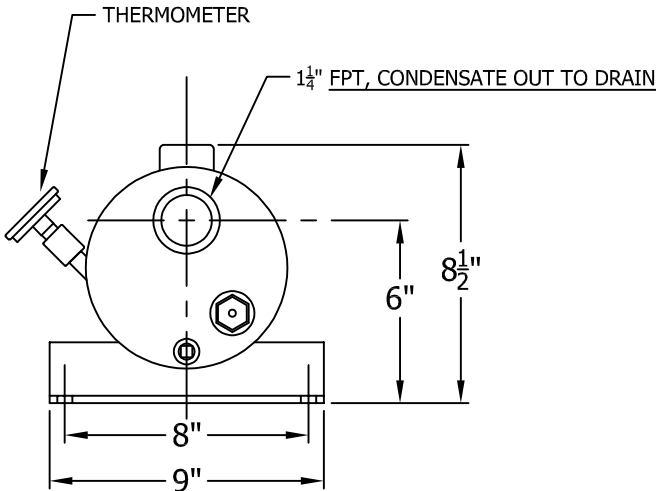
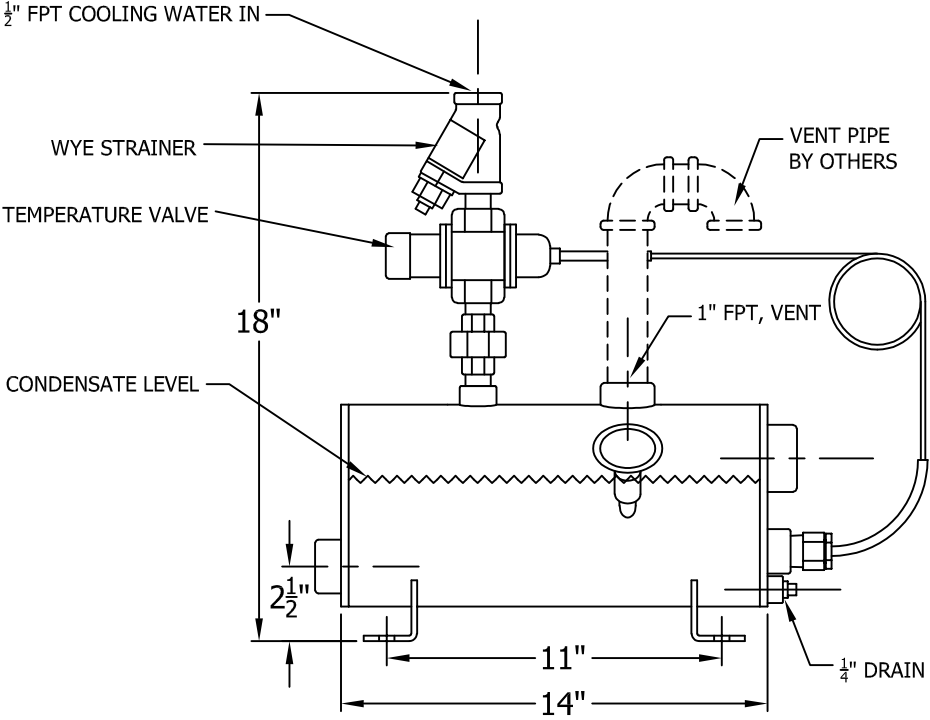
**STEAM CONDENSATE CAPACITY:**

$$\frac{\text{OUTLET TEMP} - \text{COLD WATER TEMP}}{\text{CONDENSATE TEMP} - \text{COLD WATER TEMP}} \times 3,000 = \text{\#/Hr COND.}$$


OUTLET TEMPERATURE FACTORY SET 120°F.  
 ADJUSTABLE 60°F - 140°F (OTHER RANGES AVAILABLE).  
 MAXIMUM CONDENSATE TEMPERATURE 190°F TO COOLER.  
**MAXIMUM OUTLET FLOW- 6 GPM (3,000 #/Hr.).**

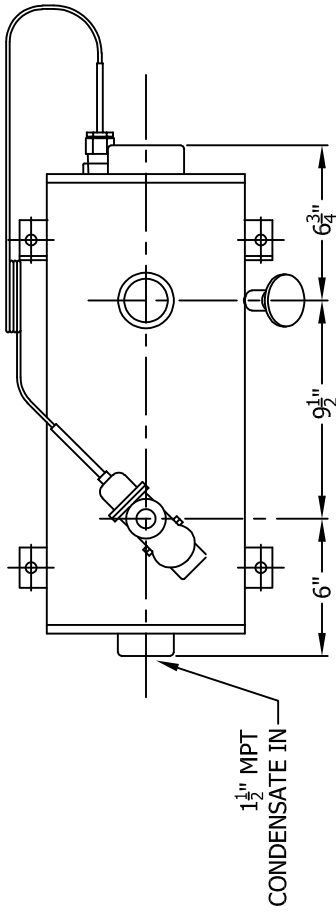
COOLING WATER SUPPLY: 30-125 PSI.

MATERIAL: VESSEL & PIPING- CS, VALVE- BR



PROX. WEIGHT: 34#

 <b>FLUID HANDLING INC.</b> MENOMONEE FALLS, WI 53051 HYDRONICS / STEAM / SOLUTIONS	<b>CONDENSATE COOLER          LOW PROFILE          FHI-CCLP-3000</b>		
	SIZE <b>A</b>	FSCM NO.	DWG NO. <b>231116</b>
SCALE	JS	11/23	SHEET



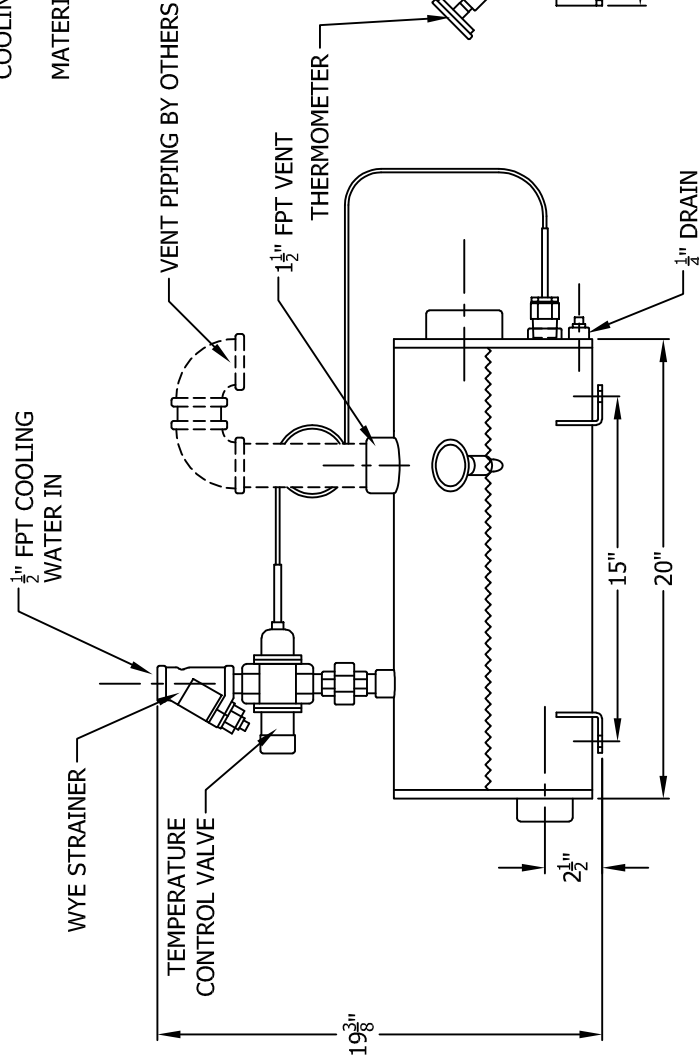
**STEAM CONDENSATE CAPACITY:**

OUTLET TEMP - COLD WATER TEMP X 6,000 = #/Hr COND.  
 CONDENSATE TEMP - COLD WATER TEMP

OUTLET TEMPERATURE FACTORY SET 120°F.  
 ADJUSTABLE 60°F - 140°F (OTHER RANGES AVAILABLE).  
 MAXIMUM CONDENSATE TEMPERATURE 190°F TO COOLER.  
**MAXIMUM OUTLET FLOW- 12 GPM (6,000 #/Hr.).**

COOLING WATER SUPPLY: 30-125 PSI.

MATERIAL: VESSEL & PIPING- CS, VALVE- BR



PROX. WEIGHT: 70#



HYDRONICS / STEAM / SOLUTIONS

**CONDENSATE COOLER  
 LOW PROFILE  
 FHI-CCLP-6000**

SIZE	FSCM NO.	DWG NO.	REV
A		231116-1	
SCALE	JS	1/24	SHEET

**STEAM CONDENSATE CAPACITY:**

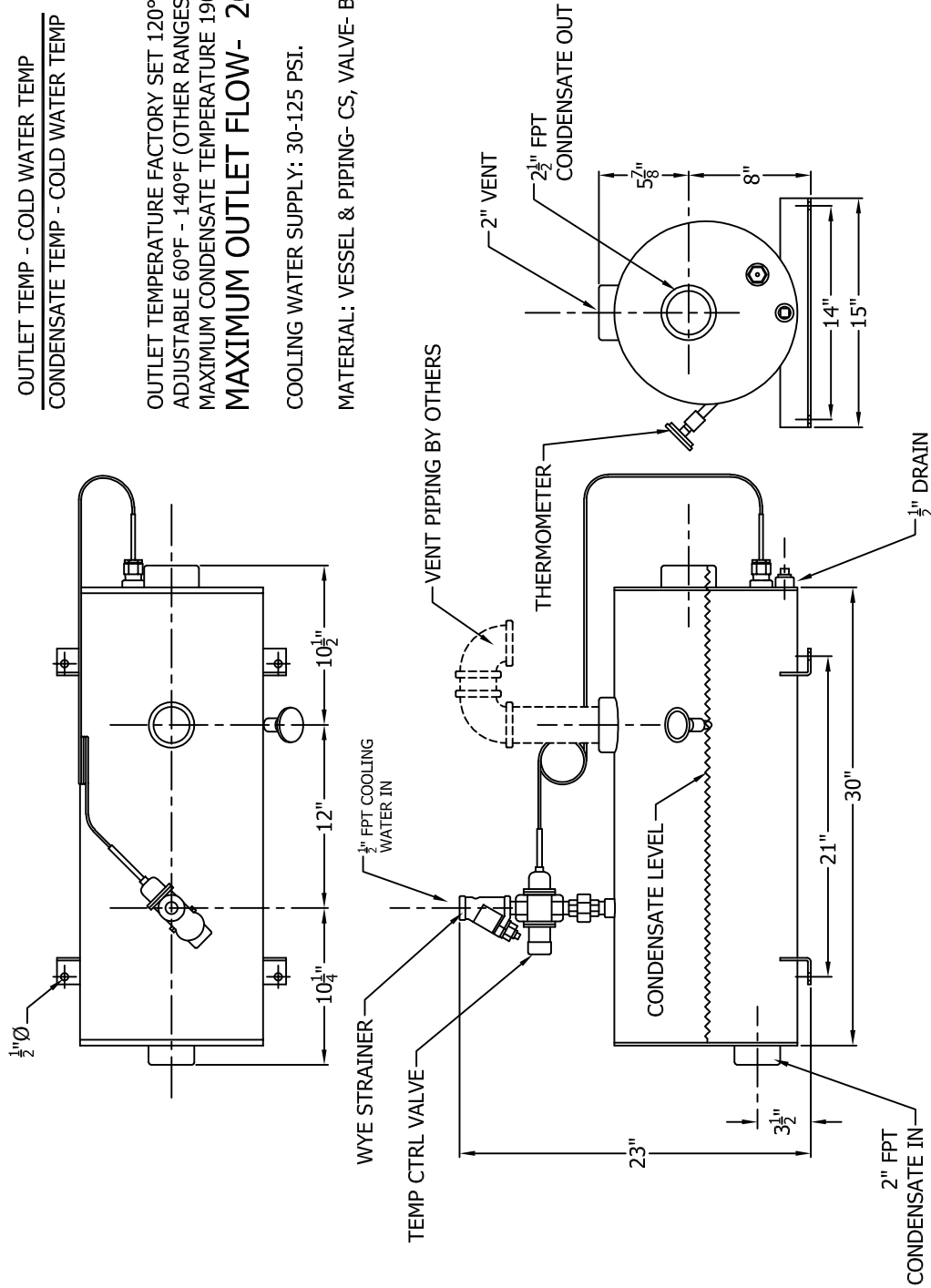
$$\frac{\text{OUTLET TEMP} - \text{COLD WATER TEMP}}{\text{CONDENSATE TEMP} - \text{COLD WATER TEMP}} \times 13,000 = \#/\text{Hr COND.}$$

OUTLET TEMPERATURE FACTORY SET 120°F.  
 ADJUSTABLE 60°F - 140°F (OTHER RANGES AVAILABLE).  
 MAXIMUM CONDENSATE TEMPERATURE 190°F TO COOLER.

**MAXIMUM OUTLET FLOW- 26 GPM (13,000 #/Hr.).**

COOLING WATER SUPPLY: 30-125 PSI.

MATERIAL: VESSEL & PIPING- CS, VALVE- BR



PROX. WEIGHT: 150#



FLUID HANDLING INC.  
 MENOMONEE FALLS, WI 53051

HYDRONICS / STEAM / SOLUTIONS

**CONDENSATE COOLER  
 LOW PROFILE  
 FHI-CCLP-13000**

SIZE	FSCM NO.	DWG NO.	REV
A		23116-2	
SCALE		JS	1/24
SHEET		SHEET	

**STEAM CONDENSATE CAPACITY:**

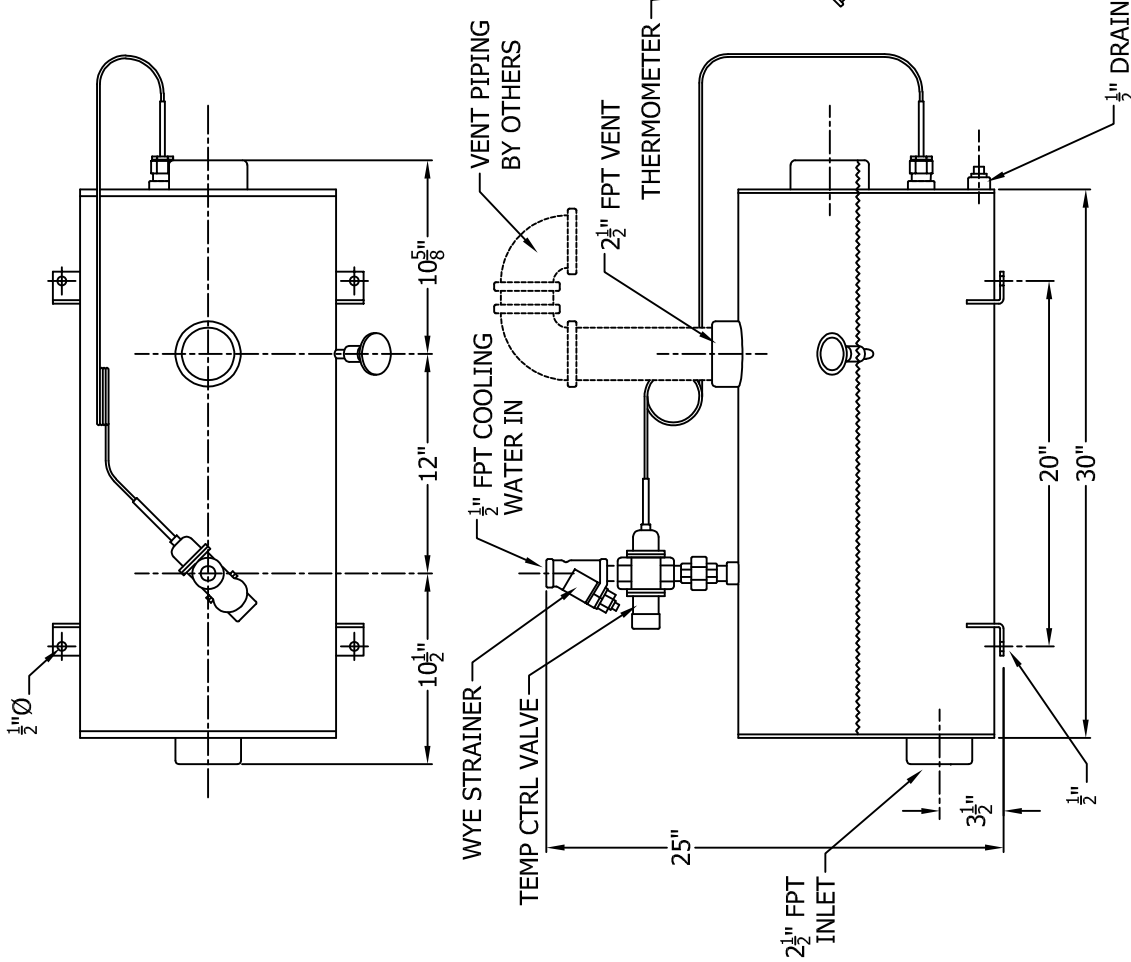
$$\frac{\text{OUTLET TEMP} - \text{COLD WATER TEMP}}{\text{CONDENSATE TEMP} - \text{COLD WATER TEMP}} \times 25,000 = \#/\text{Hr COND.}$$

OUTLET TEMPERATURE FACTORY SET 120°F.  
 ADJUSTABLE 60°F - 140°F (OTHER RANGES AVAILABLE).  
 MAXIMUM CONDENSATE TEMPERATURE 190°F TO COOLER.  
**MAXIMUM OUTLET FLOW- 50 GPM (25,000 #/Hr.).**

COOLING WATER SUPPLY: 30-125 PSI.

MATERIAL: VESSEL & PIPING- CS, VALVE- BR

PROX. WEIGHT: 190#



**FLUID HANDLING INC.**  
 MENOMONEE FALLS, WI 53051  
 HYDRONICS / STEAM / SOLUTIONS

**CONDENSATE COOLER  
 LOW PROFILE  
 FHI-CCLP-25000**

SIZE	FSCM NO.	DWG NO.	REV
A		231116-3	
SCALE	JS	1/24	SHEET